

Parts List

In this chapter...

- Serial Number Format
- Using the Parts List
- Print Engine Parts
- Harness Assemblies
- Optional High-Capacity Feeder
- Optional 500-sheet Feeder
- Xerox Supplies and Accessories

Chapter 9



Serial Number Format

Changes to Xerox products are made to accommodate improved components as they become available. It is important when ordering parts to include the following information:

- Component's part number
- Product type or model number
- Serial number of the printer

Serial numbering. Particular fields in the serial number indicate the modification level of the printer, the date of its manufacture and the sequence number of the printer produced on that day.

The serial number is coded as follows:

- The text “S/N” followed by the serial number in the barcode.
- The barcode **does not** include a field identifier.
- The nine digit serial number is based on the following format:
PPPRSSSS

PPP = Three digit alphanumeric product code

Product	Model	Voltage	Product Code
6250	B, N, DP, DT, DX	110V	PWG
6250V	B, N, DP, DT, DX	220V	PWH

R - Single numeric revision digit. To be rolled when a major product change occurs. Code change is initiated with a change request.

SSSSS - Five digit numeric serial number.

Serial Number Example:

PWG453072:

PWG = Product code for the 110V Printer

4 = Revision level

53072 = Serial number

Using the Parts List

1. **No.:** The callout number from the exploded part diagram.
2. **Part Number:** The material part number used to order specific parts.

Note

An asterisk following the part number identifies parts that are unique to the Phaser 6250 Color Laser Printer. All other part are common with the Phaser 6200 Color Laser Printer.

3. **Qty:** This number represents the parts per printer, not the number of parts supplied in the actual part order.
4. **Name/Description:** Details the name of the part to be ordered and the number of parts supplied per order.
5. Parts identified throughout this manual are referenced **PL#.#.#**; For example, PL3.1.10 means the part is item 10 of Parts List 3.1.
6. A black triangle preceding a number followed by a parenthetical statement in an illustrated parts list means the item is a parent assembly, made up of the individual parts called out in parentheses.
7. The notation “**with X~Y**” following a part name indicates an assembly that is made up of components X through Y. For example, “1 (with 2~4)” means part 1 consists of part 2, part 3, and part 4.
8. Two asterisks (**) following a part name indicates the page contains a note about this part.
9. The notation (NS) next to a part indicates that particular part is not spared, but contained in a kit or major assembly.
10. The notation “**J1<>J2 and P2**” is attached to a wire harness. It indicates that connector Jack 1 is attached to one end of the wire harness and connector J2 is attached to the other end that is plugged into P2.

Note

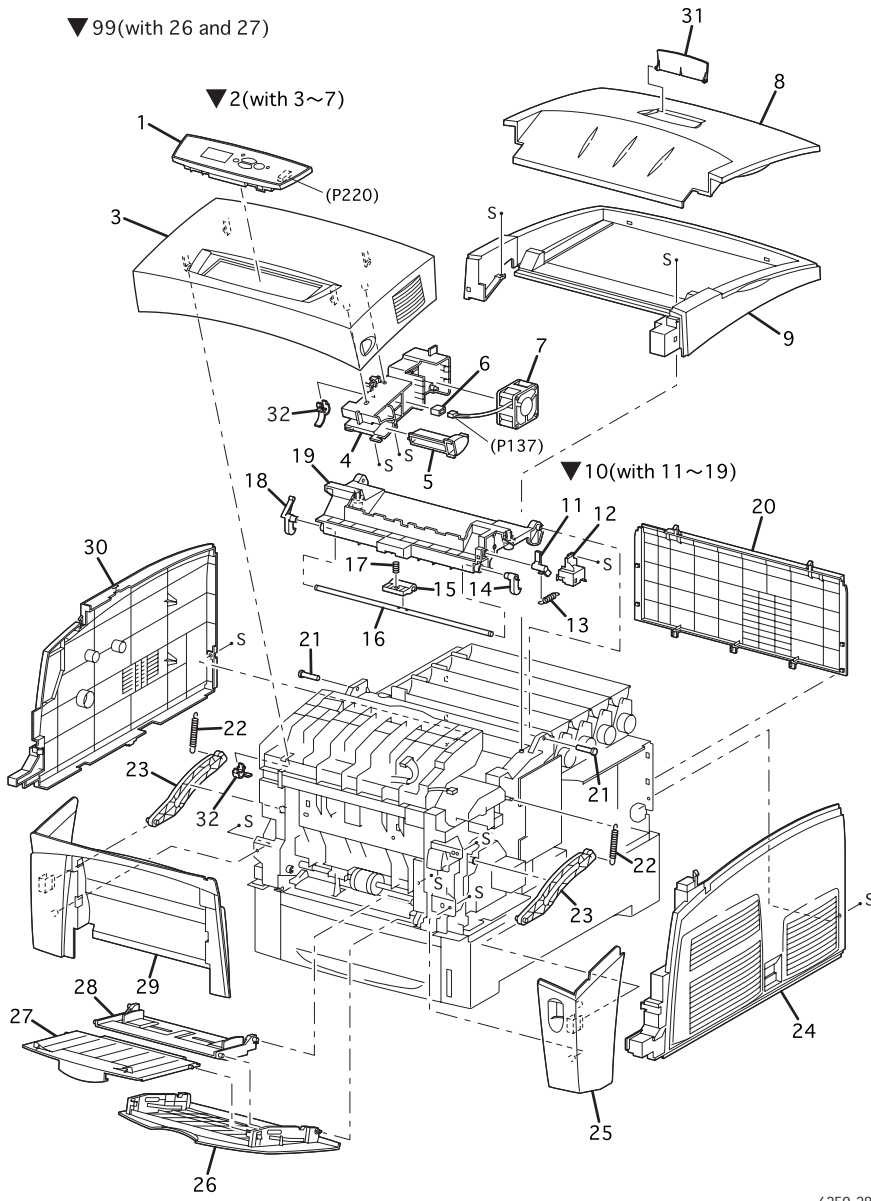
Only parts showing part numbers are available for support. Parts not showing part numbers are available on the parent assembly.

Legend:

Identifier	Meaning
C	C-ring
E	E-ring
KL	K-clip
S	Screw

Print Engine Parts

PL 1.1 Covers



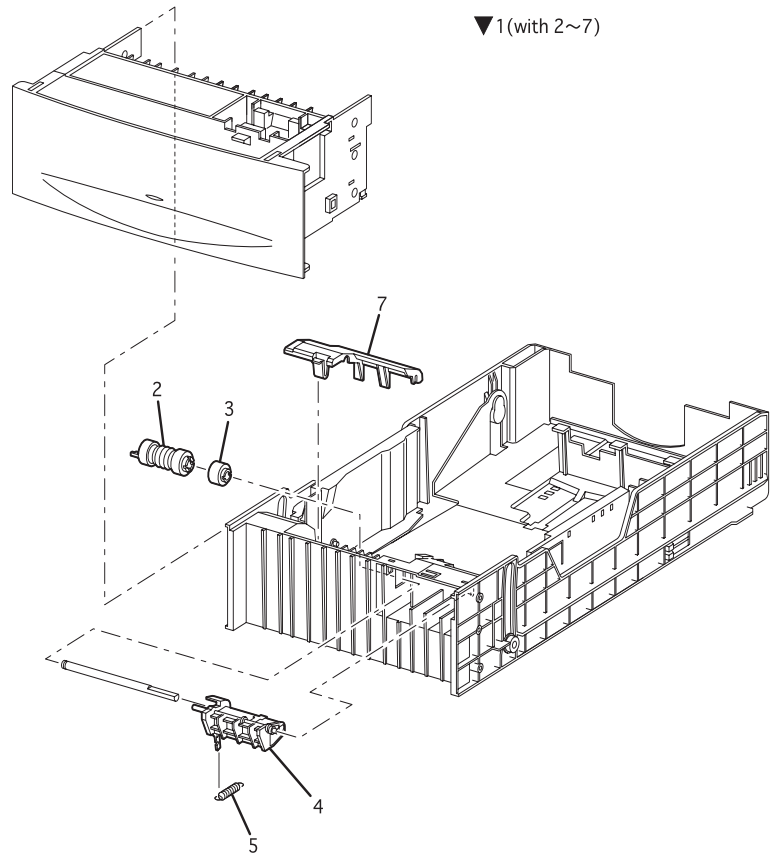
PL 1.1 Covers - Service Parts List

No.	Part Number	Qty	Name/Description
1.	333-4405-00*	1	Control Panel (Front Panel Display)
2.	116-1357-00*	1	Cover Assembly, Front (with 3-7)
3.		1	Cover, Front (NS, part of PL 1.1.2)
4.		1	Holder, Lever Out (NS)
5.		1	Lever Out (NS)
6.		1	Con. Amp 175694-3 (NS)
7.	116-0004-00	1	Fan, Fuser
8.	116-1074-00*	1	Cover Assembly, Top
9.	116-1359-00	1	Cover, Top Main
10.	116-1360-00*	1	Cover Assembly, Top Image Unit (with 11-19) (Door C)
11.		1	CAM I/R (NS)
12.		1	Cover, CAM (NS)
13.		1	Spring, CAM I/R (NS)
14.	116-0011-00	1	Latch, Top Right
15.		1	Handle, Top (NS)
16.		1	Shaft Latch, Top (NS)
17.		1	Spring, Handle (NS)
18.	116-1372-00*	1	Latch, Top Left
19.		1	Cover, Top Image Unit (Door C)(NS)
20.	116-0016-00	1	Cover, Rear
21.	116-0492-00	2	Stud, Top (1 per order)
22.	116-0586-00	2	Spring, Link (1 per order)
23.	116-0963-00	2	Link (1 per order)
24.	116-1373-00*	1	Cover, Side, Right
25.	116-1322-00	1	Cover Assembly, Front Right
26.		1	Cover, Tray 1 (MPT) (NS, part of Tray 1 99)
27.		1	Tray 1 Slide (NS, part of Tray 1 99)
28.	116-1375-00*	1	Assembly, Tray 1, Base
29.	116-1376-00*	1	Cover Assembly, Front Left
30.	116-1327-00	1	Cover, Side, Left
31.	116-1096-00*	1	Cover, Top Stopper

PL 1.1 Covers - Service Parts List

No.	Part Number	Qty	Name/Description
32.	116-1592-00*	1	Kit, Cover Front Retaining Clips
99	116-1377-00*	1	Tray 1, (MPT) (with 26 and 27)

PL 2.1 Universal Paper Tray



6250-287

PL 2.1 Tray, Universal Paper - Service Parts List

ID No.	Part Number	Qty	Name/Description
1.	116-1378-00*	1	Universal Paper Tray (with 2-6)
2.	116-1331-00	2	Paper Feed Roller Kit* *(2 interchangeable rollers per order)
3.	116-1332-00	1	Assembly, Friction Clutch
4.		1	Holder, Retard (NS)
5.	116-1632-00*	1	Spring, Retard
6.			
7.	116-1490-00		Chute, Guide Cover

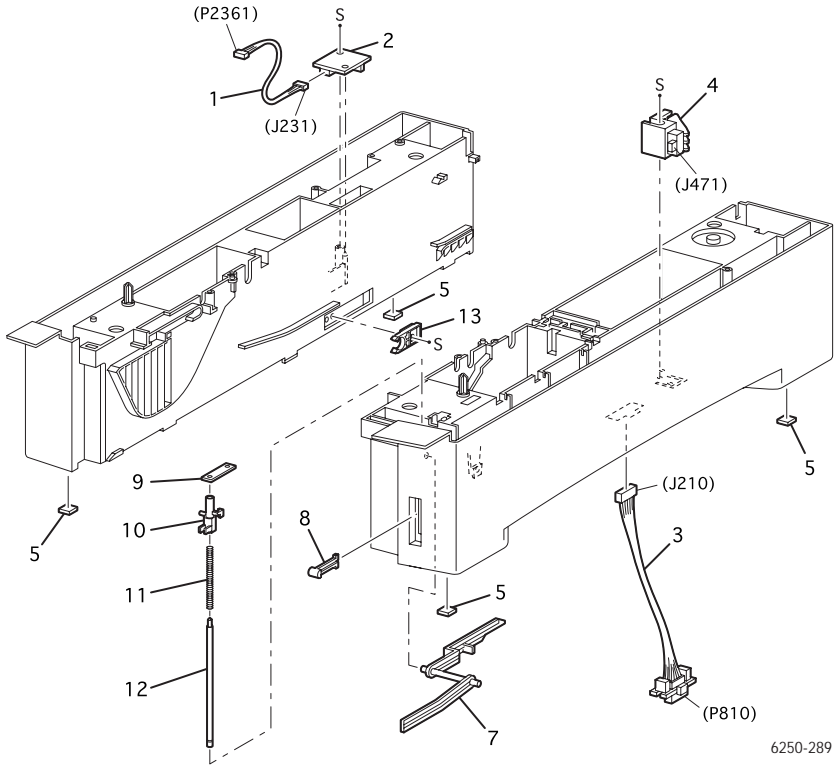
Parts List

9-7

PL 3.1 Paper Feed I - Service Parts List Table

ID No.	Part Number	Qty	Name/Description
1.	116-1335-00	1	Cover, Feeder, Front
2.	116-1336-00	1	Assembly, Turn Chute
3.	116-1491-00*	1	Cover, Paper Tray, Rear
4.	116-1338-00	3	Block (1 per order)
5.	212-0237-00	4	Long Screw (M3 x 85) Kit (2 per order)
99.	116-1631-00	1	Assembly, Feeder (with 1 - 4 & PL 3.2 & PL 3.3)

PL 3.2 Paper Feed II

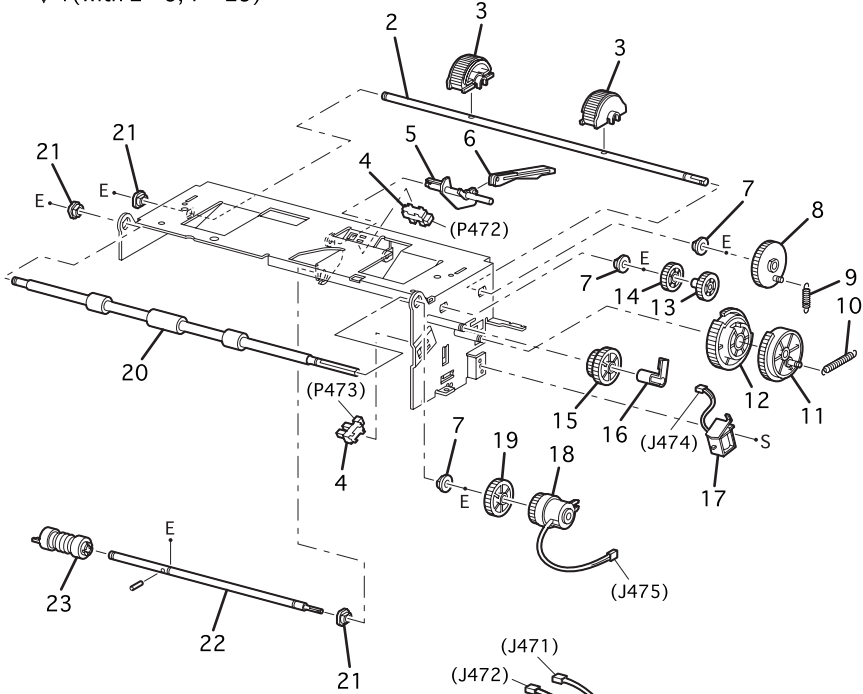


PL 3.2 Paper Feed II - FRU Parts List Table

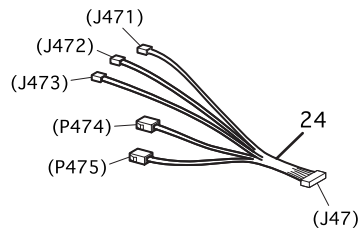
ID No.	Part Number	Qty	Name/Description
1.	116-1340-00	1	Assembly, Harness, Temperature/Humidity (J231~J2361)
2.	116-1341-00	1	Sensor, Temperature/Humidity
3.	116-1342-00	1	Asssembly, Harness, LTA (HCF) (J210~P810)
4.	116-1343-00	1	Assembly, Paper Size Switch
5.	116-1625-00	4	Printer Feet (4 per order)
6.	---	-	---
7.	116-1345-00	1	Lever, Low Paper
8.	116-1346-00	1	Indicator, Paper Level
9.		1	Indicator, Holder, Shaft (NS)
10.	116-1348-00	1	Indicator, Guide
11.		1	Indicator, Spring (NS)
12.		1	Indicator, Shaft (NS)
13.	116-1351-00	1	Paper Tray Stopper

PL 3.3 Paper Feed III

▼1(with 2~5, 7~23)



▼99(with 8, 11~15 and 19)

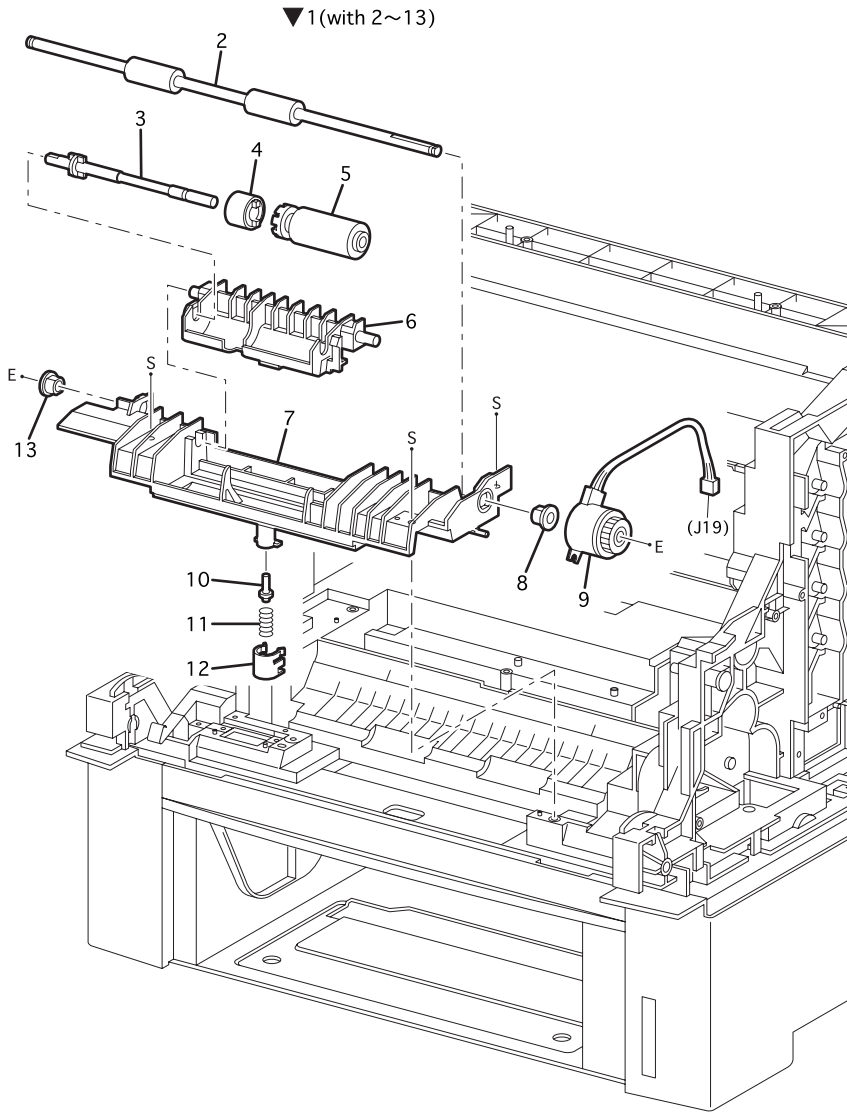


6250-290

PL 3.3 Paper Feeder III - Service Parts List

ID No.	Part Number	Qty	Name/Description
1.	116-1352-00	1	Assembly, Paper Pick (with 2~5 & 7~23)
2.		1	Shaft, Feed 1 (NS)
3.	116-1353-01	2	Paper Pick Roller Kit (2 per order)
4.	116-1354-00	1	Sensor, (No Paper, Low Paper)
5.	116-1355-00	1	Actuator, No Paper
6.	116-1356-00	1	Actuator, Link (not included with item 1)
7.		3	Bearing - Metal (NS)
8.		1	Gear, Feed 1 (NS)
9.		1	Spring, Feed 1 (NS)
10.		1	Spring, Feed H (NS)
11.		1	Gear, Feed H2 (NS part of 99)
12.		1	Gear, Feed H1 (NS part of 99)
13.		1	Gear, Feed 2 (NS part of 99)
14.		1	Gear, Idler Feed (NS part of 99)
15.		1	Gear, Idler (NS part of 99)
16.		1	Clutch Stopper (NS)
17.	116-1361-00	1	Feed Solenoid
18.	116-1362-00	1	Assembly, Clutch Turn
19.		1	Gear, Idler In (NS part of 99)
20.	116-1363-00	1	Assembly, Roll Turn
21.		3	Bearing - Black (NS)
22.		1	Shaft, Feed 2 (NS)
23.	116-1331-00	2	Paper Feed Roller Kit* *(2 interchangeable rollers per order)
24.	116-1366-00	1	Assembly, Harness, Feeder (J47-J471/J472/J473/P474/ P475) (not included with item 1)
99)	116-1367-00	1	Paper Feed Gear Kit (with 8, 11~15 and 19)

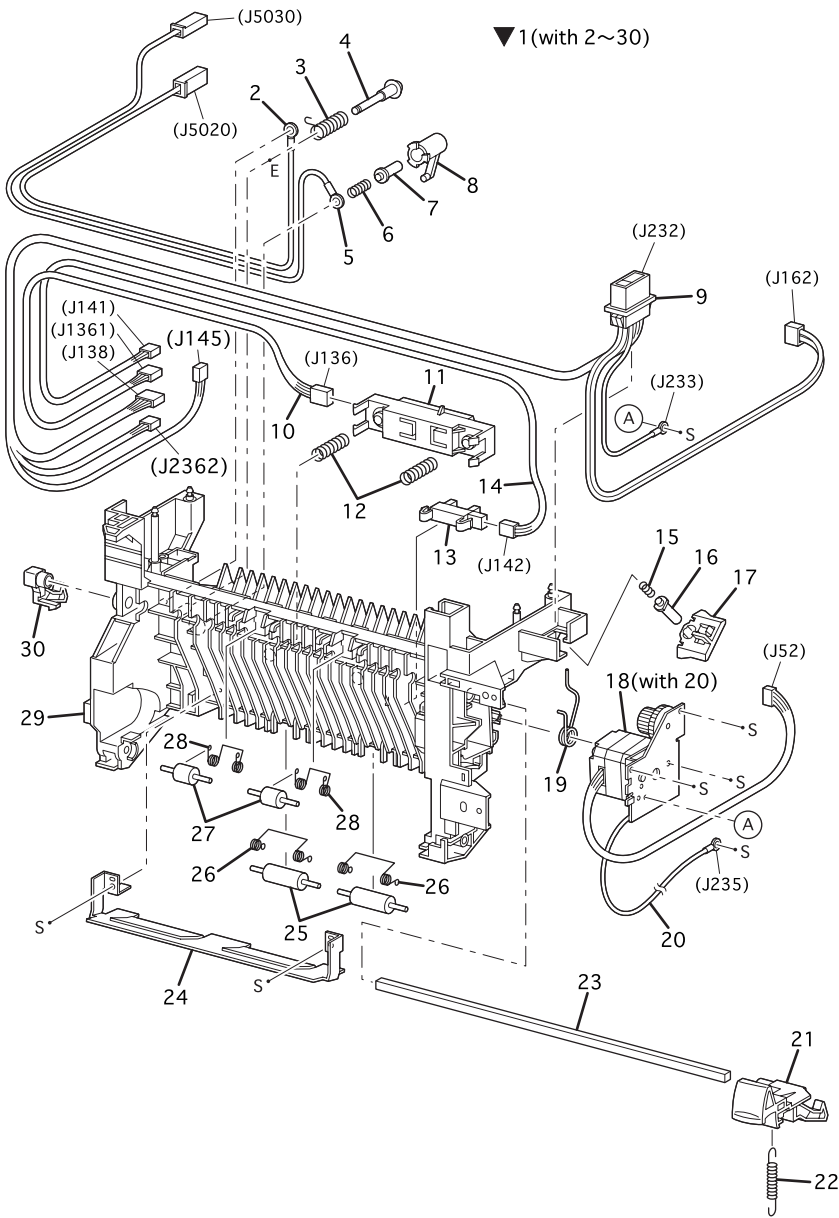
PL 4.1 Housing Assembly Retard



PL 4.1 Assembly, Housing Retard - Service Parts List Table

ID No.	Part Number	Qty	Name/Description
1.	116-1492-00*	1	Assembly, Housing Retard (with 2~13)
2.		1	Roll, Turn (NS)
3.		1	Shaft, Retard (NS)
4.		1	Assembly, Friction Clutch (NS)
5.	116-1371-00	1	Assembly, Retard Roll
6.		1	Holder, Retard (NS)
7.		1	Housing, Retard (NS)
8.		1	Bearing (NS)
9.		1	Turn Clutch (NS)
10.		1	Stud, Retard (NS)
11.		1	Spring, Retard 370 (NS)
12.		1	Cap, Retard (NS)
13.		1	Bearing, Ground (NS)

PL 5.1 Chute Assembly In

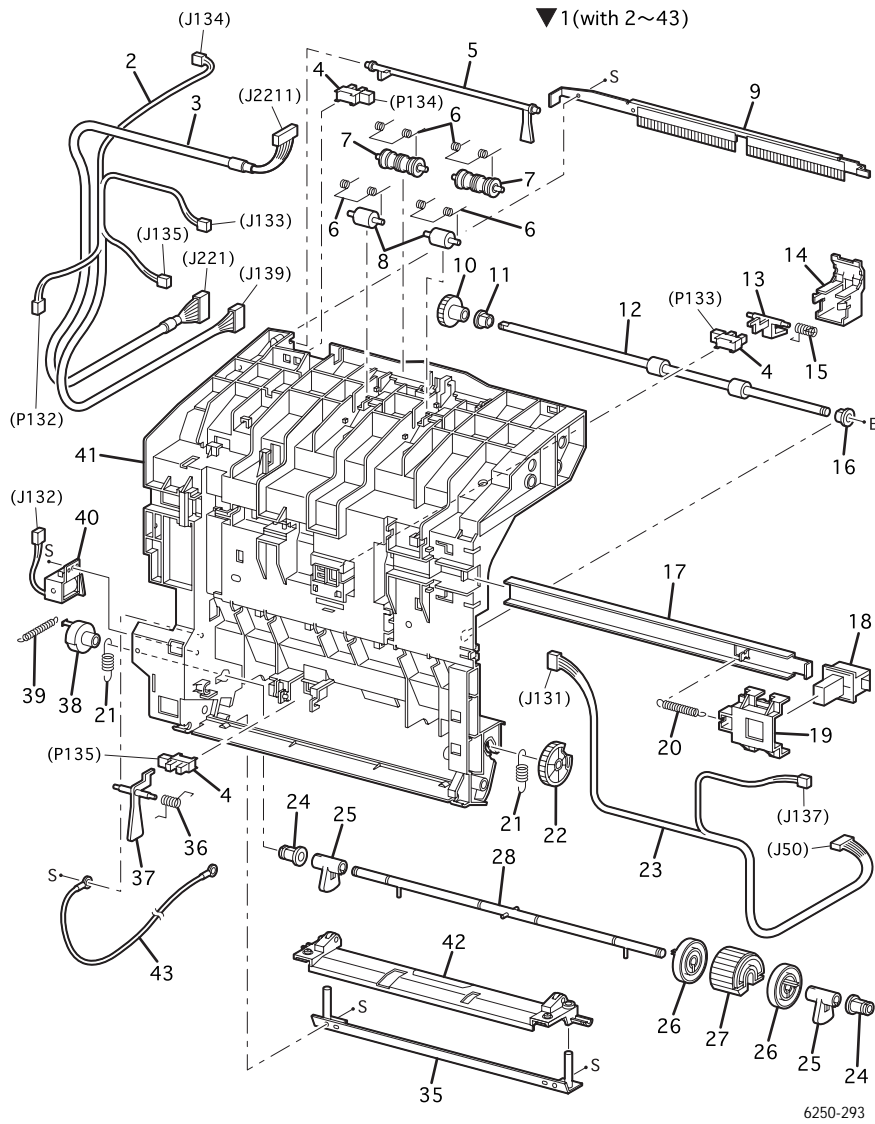


6250-292

PL 5.1 Chute Assembly, In - Service Parts List Table

ID No.	Part Number	Qty	Name/Description
1	116-1493-00*	1	Chute Assembly, In (with 2~30)
2	116-1381-00	1	Assembly, Wiring 2nd BTR (J5020)(Transfer Roller)
3	116-1382-00	1	Spring, 2nd BTR
4	116-1383-00	1	Shaft, BTR IN
5	116-1384-00	1	Assembly, Wire Disk (J5030)
6	116-1385-00	1	Spring, DTC
7	116-1386-00	1	Stud, 2nd BTR
8	116-1387-00	1	Spring, Holder BTR
9	116-1575-00*	1	Assembly, Harness Fuser (FSR 4) (J232, J233, J162, J138, J145, J2362)
10	116-1390-00	1	Assembly, Harness CTD (ADC)
11	116-1391-00	1	Assembly, Sensor CTD (ADC)
12	116-1392-00	1	Spring, ADC
13	116-1393-00	1	Sensor, Toner Full
14	116-1394-00	1	Assembly, Harness Toner Full SNS
15	116-1395-00	1	Spring, IDT
16	116-1396-00	1	Stud, IDT
17	116-1397-00	1	Holder, IDT
18	116-1588-00*	1	Assembly, Drive Fuser
19	116-1399-00	1	Spring, BTR
20	116-1400-00	1	Wire Assembly, FSR Earth GRND
21	116-1401-00	1	Right Latch
22	116-1402-00	1	Spring, Latch
23		1	Shaft, Latch (NS)
24	116-1403-00	1	Plate, In T/R
25	116-1404-00	2	Roll, Pinch Turn (1 per order)
26	116-1405-00	2	Spring, Pinch Turn (1 per order)
27	116-1406-00	2	Roll, Pinch Dup (1 per order)
28	116-1407-00	1	Spring, Pinch Dup
29	116-1408-00	1	Chute, In
30	116-1409-00	1	Left Latch

PL 6.1 Chute Assembly Out



PL 6.1 Chute Assembly, Out - Service Parts List Table

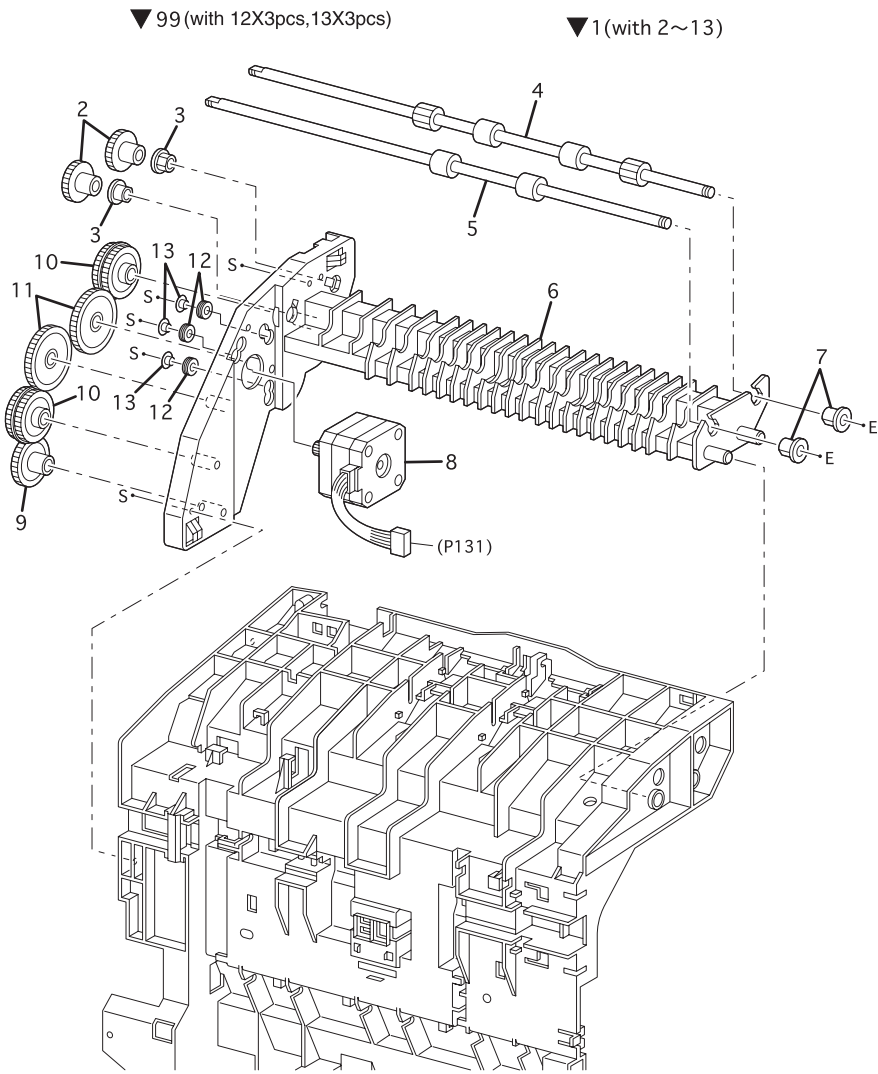
ID No	Part Number	Qty	Name/Description
1.	116-1591-00*	1	Assembly, Chute Out (with 2-43 & PL 7.1)
2.	116-1411-00	1	Assembly, Harness, Front 2
3.	116-1593-00*	1	Assembly, Harness, Front Panel
4.	116-1413-00	3	Sensor, (Dup Jam, Full Stack, MSI No Paper) (1 per order)
5.	116-1414-00	1	Actuator, Output Tray Full (Full Stack)
6.	116-1634-00*	4	Spring, Pinch Exit (1 per order)
7.	116-1416-00	2	Roll, Pinch Exit (1 per order)
8.	116-1417-00	2	Roll, Pinch (1 per order)
9.	116-1418-00	1	Eliminator Assembly
10.	116-1419-00	1	Gear 30
11.		1	Bearing Ground (NS)
12.	116-1420-00	1	Roll, Dup (Duplex)
13.	116-1421-00	1	Actuator, Duplex
14.	116-1422-00	1	Actuator, Cover
15.	116-1423-00	1	Spring, Sensor Dup (Duplex)
16.		1	Bearing (NS)
17.		1	Latch, Plate (NS)
18.		1	Latch, Out (NS)
19.		1	Latch, Holder (NS)
20.	116-1425-00	1	Latch, Spring Out
21.	116-1426-00	2	Spring, N/F MPT 250GF (1 per order)
22.	116-1427-00	1	Gear, MPT
23.	116-1594-00*	1	Assembly, Harness Duplex
24.		2	Bearing, MPT (NS)
25.	116-1430-00	2	CAM, MPT (1 per order)
26.	116-1431-00	2	Core, Roll, MPT (1 per order)
27.	116-1432-00	1	Assembly, Feed Roll
28.		1	Shaft MPT (NS)
29.			
30.			
31.			

PL 6.1 Chute Assembly, Out - Service Parts List Table

ID No	Part Number	Qty	Name/Description
32.			
33.			
34.			
35.	116-1433-00	1	Plate, Out MPT
36.	116-1434-00	1	Sensor, Spring MPT
37.	116-1435-00	1	Actuator, MPT
38.	116-1436-00	1	Solenoid Stopper
39.	116-1437-00	1	Solenoid, Spring
40.	116-1438-00	1	Feed Solenoid, MPT
41.		1	Chute, Out (NS)
42.	116-1439-00	1	Assembly, Bottom Plate, MPT
43.	116-1440-00	1	Assembly, Wire, Earth GRND

(This Page Intentionally Left Blank)

PL 7.1 Chute Assembly Exit

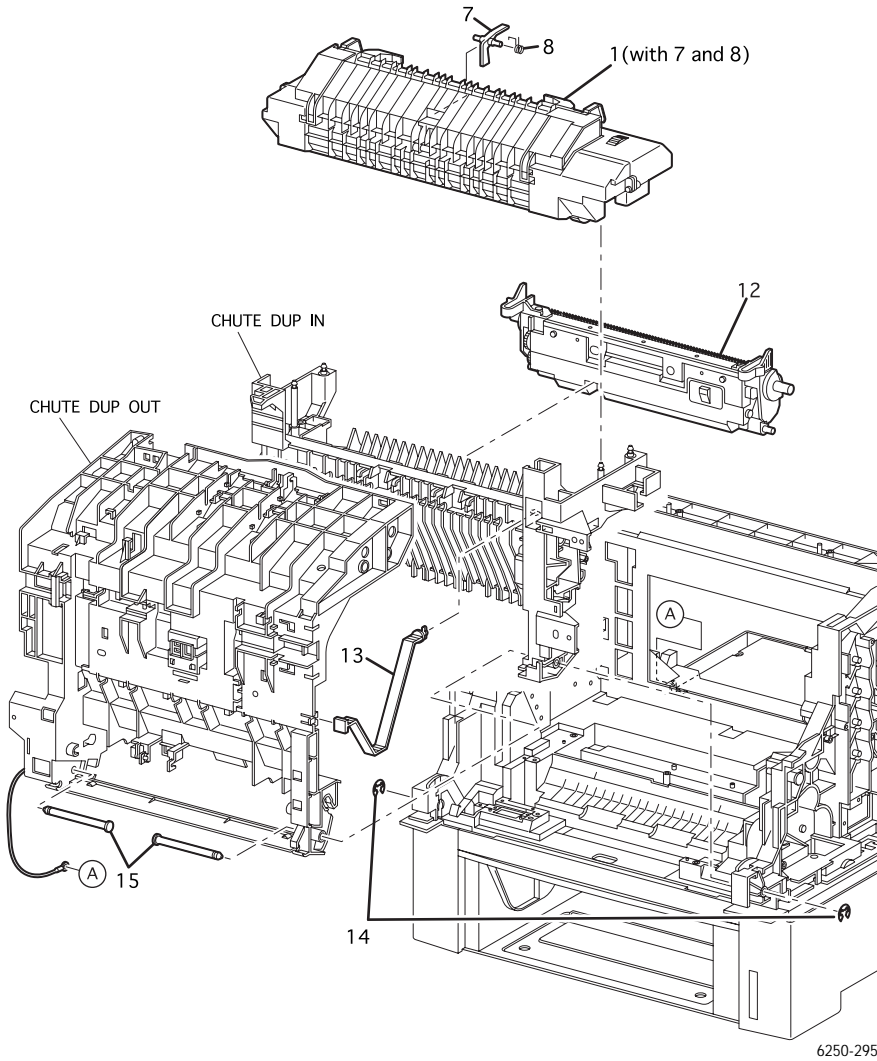


6250-294

PL 7.1 Chute Assembly, Exit - Service Parts List Table

ID No.	Part Number	Qty	Name/Description
1.	116-1595-00*	1	Chute Assembly, Exit (with 2~13)
2.		2	Gear Roll (NS)
3.		2	Bearing Earth (NS)
4.		1	Roll, Exit (NS)
5.		1	Roll, Mid (NS)
6.		1	Chute, Exit Lower (NS)
7.		2	Bearing (NS)
8.		1	Assembly, Duplex Motor (NS)
9.		1	Gear, 42 (NS)
10.		2	Gear, 40/42 (NS)
11.		2	Gear, 48 (NS)
12.		3	Grommet (NS, part of PL 7.1.99)
13.		3	Sleeve (NS, part of PL 7.1.99)
99.	116-1596-00*	1	Kit, Bushing (with 12, qty 3, 13 qty 3)

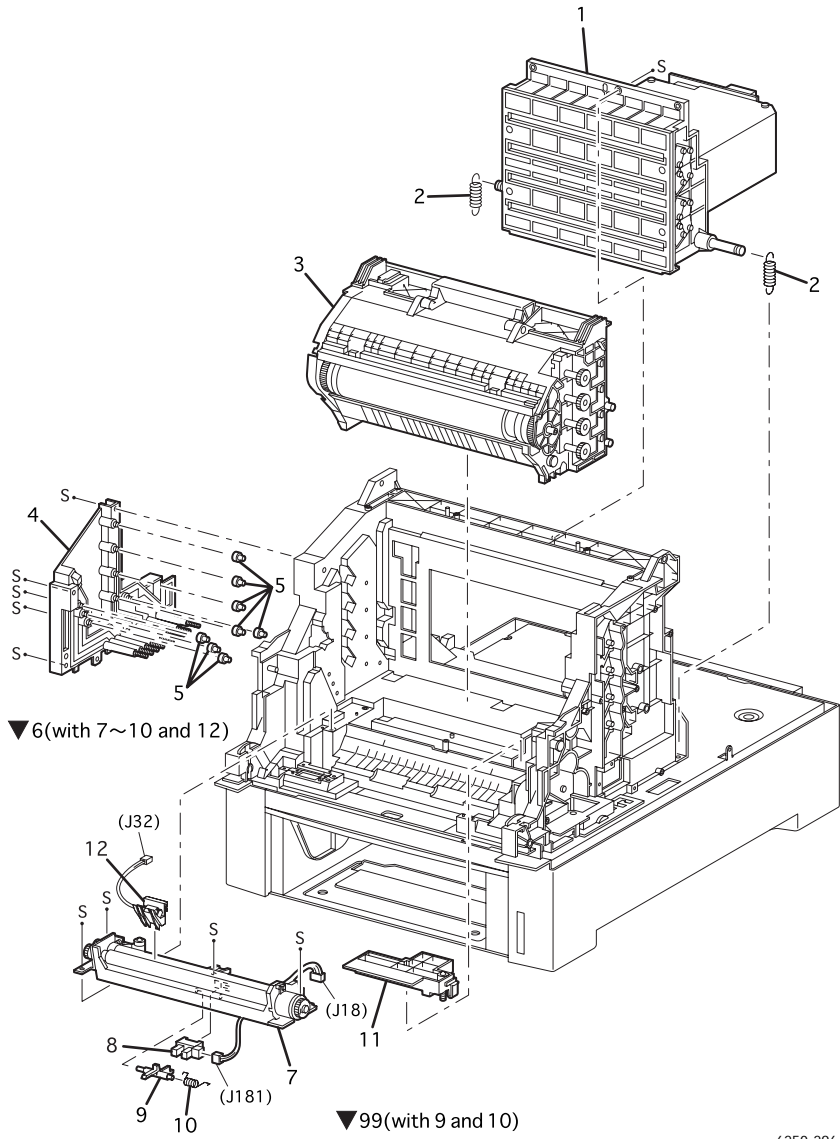
PL 8.1 Transfer Roller & Fuser Assembly (RMIs)



PL 8.1 Transfer Roller and Fuser - Service Parts List Table

ID No.	Part Number	Qty	Name/Description
1.			
1a	115R00029*	1	110 V Fuser, Phaser 6250 (with 7 and 8)
1b	115R00030*	1	220 V Fuser, Phaser 6250 (with 7 and 8)
2.	---		---
3.	---		---
4.	---		---
5.	---		---
6.	---		---
7.	116-1447-00	1	Actuator, Exit
8.	116-1448-00	1	Actuator, Spring
9.	---		---
10.	---		---
11.	---		---
12.	108R00592	1	Transfer Roller, (BTR)
13.	116-1449-00	1	Strap
14.	116-1528-00	2	E-Ring (part of E-Ring Kit)
15.	116-1450-00	2	Shaft, Pivot (1 per order)

PL 9.1 Xerographics



6250-296

PL 9.1 Xerographics - Service Parts List Table

ID No.	Part Number	Qty	Name/Description
1.	116-1597-00*	1	Laser Unit
2.	116-1452-00	2	Spring, ROS (1 per order)
3.	108R00591*	1	Imaging Unit, Phaser 6250
4.	116-1453-00	1	Bias Housing Assembly
5.	116-1454-00	8	Plunger, Stud (Biasing Buttons) (1 per order)
6.	116-1598-00*	1	Assembly, Chute Registration (with 7-10 and 12)
7.		1	Registration Clutch (NS)
8.	116-1413-00	1	Sensor, Registration
9.	116-1456-00	1	Actuator, Registration
10.	116-1457-00	1	Actuator Spring, Registration
11.	116-1458-00	1	Assembly, Housing, Electrical
12.	116-1459-00	1	OHP Sensor (with Harness) Kit
99.	116-1627-00	1	Kit, Registration Sensor Actuator and Spring

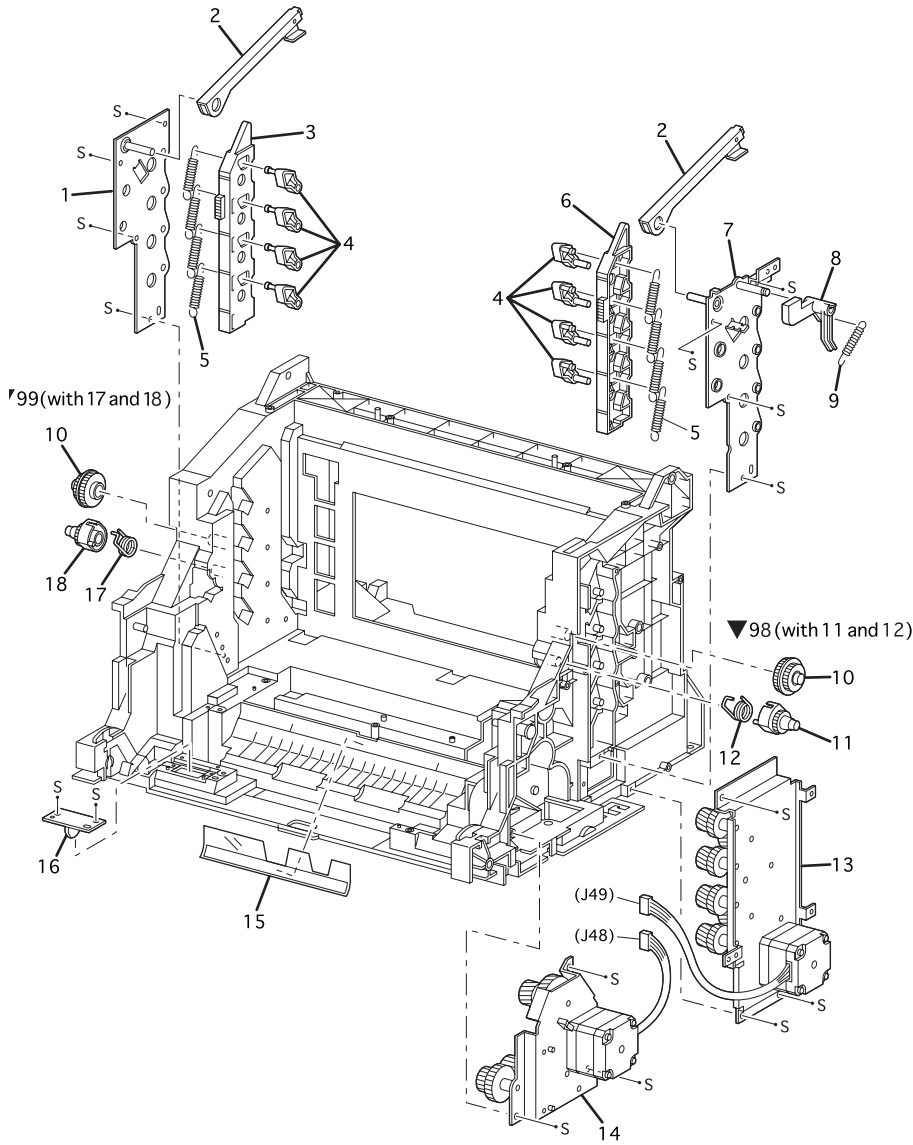
PL 10.1 Toner Cartridge Holder Unit Assemblies - Service Parts List

ID No.	Part Number	Qty	Name/Description
1.	116-1599-00*	1	Holder, Toner Cartridge Assembly, Yellow
2.	116-1600-00*	1	Holder, Toner Cartridge Assembly, Magenta
3.	116-1601-00*	1	Holder, Toner Cartridge Assembly, Cyan
4.	116-1602-00*	1	Holder, Toner Cartridge Assembly, Black
5.	116-1603-00*	1	Sensor, No Toner
6.	116-1604-00*	1	Switch Bracket, Toner CTG-IN
7.	106R00670* 106R00674*	1 1	Yellow Toner Cartridge, Standard-Capacity Yellow Toner Cartridge, High-Capacity
8.	106R00669* 106R00673*	1 1	Magenta Toner Cartridge, Standard-Capacity Magenta Toner Cartridge, High-Capacity
9.	106R00668* 106R00672*	1 1	Cyan Toner Cartridge, Standard-Capacity Cyan Toner Cartridge, High-Capacity
10.	106R00671* 106R00675*	1 1	Black Toner Cartridge, Standard-Capacity Black Toner Cartridge, High-Capacity
11.	116-1606-00*	1	Harness Assy, TNR4 (J51-J511/J432/J512/J513/J514/ J701/J703/J704/J342)
12.	116-1467-00	1	Assembly , Harness CRUM (J71-J710)
13.	116-1633-00*	1	Assembly, Plate Dispenser
14.	116-1468-00	1	**Circuit Board, EEPROM
15.	116-1469-00	1	Sub-High-Voltage Power Supply
16.		1	HSG Base, CRUM (NS, part of item 21)
17.		1	HSG Assy, Coil Reader (NS, part of item 21)
18.		1	Circuit Board, CRUM Reader (NS, part of item 21)
19.		1	Harness Assy, RF1D2 (J341~J3411)(NS, part of item 21)
20.		1	Cover, CRUM Holder (NS, part of item 21)
21.	116-1607-00*	1	Box Assy, CRUM Reader (with 16 ~ 20)
22.	116-1605-00*	1	Actuator, Toner CTG-IN
23.	116-1630-00	1	Kit, Rack V (Gear, Rack)

Note

** When a new EEPROM Board is installed in the printer, the CRUM data written to the EEPROM makes it unique to that printer. The EEPROM board cannot be re-used in another printer.

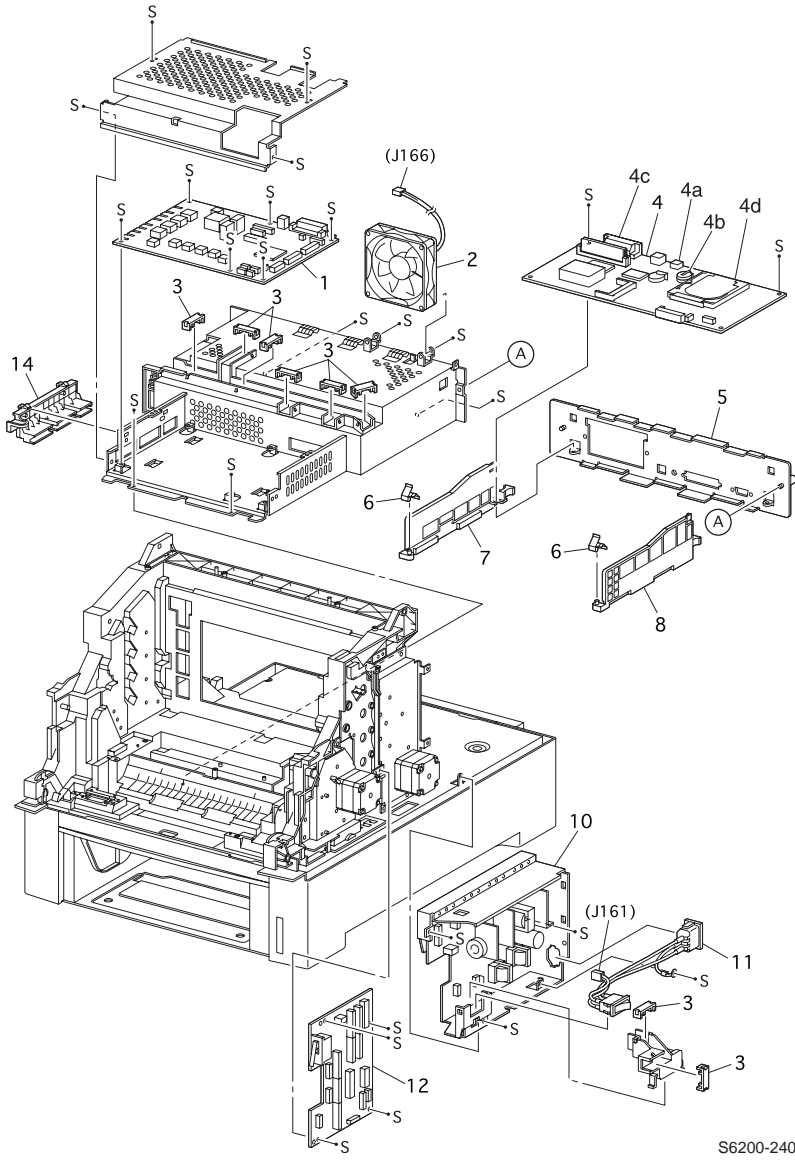
PL 11.1 Frame and Drive Assemblies



6250-297

PL 11.1 Frame and Drive Assemblies - Service Parts List Table

ID No.	Part Number	Qty	Name/Description
1.		1	Lever, Plate Left (NS)
2.	116-1471-00	2	Lever, Bracket (1 per order)
3.	116-1472-00	1	Lever, Link , Left
4.	116-1473-00	8	Lever, Drum (1 per order)
5.	116-1474-00	8	Lever, Spring (1 per order)
6.	116-1475-00	1	Link Lever, Right
7.		1	Lever, Plate Right (NS)
8.	116-1476-00	1	Actuator, I/L
9.	116-1477-00	1	Spring, I/L
10.	116-1478-00	2	Press, Gear IDL (1 per order)
11.	116-1479-00	1	Press, Gear Right
12.	116-1480-00	1	Spring, IDT Right
13.	116-1608-00*	1	Assembly, Developer Drive
14.	116-1609-00*	1	Assembly, Main Drive
15.	116-1483-00	1	Registration, Film
16.	116-1484-00	1	Circuit Board, Earth GRND (Ground)
17.	116-1485-00	1	Spring, IDT Left
18.	116-1486-00	1	Press, Gear, Left
98.	116-1610-00	1	Gear Assy, Press R (with 11 and 12)
99.	116-1611-00	1	Gear Assy, Press L (with 17 and 18)

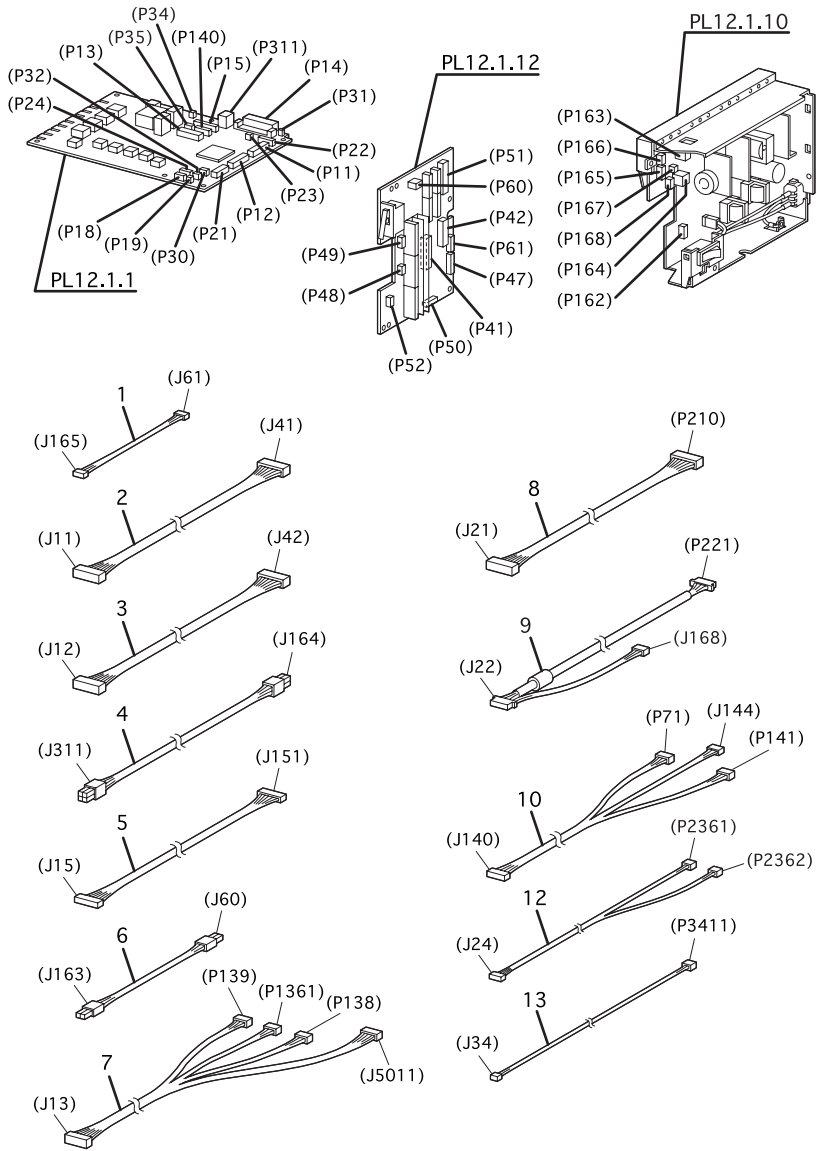


S6200-240

PL 12.1 Electrical - Service Parts List Table

ID No.	Part Number	Qty	Name/Description
1	116-1612-00*	1	Circuit Board, Engine Control
2	116-1488-00	1	Rear Fan
3	116-1489-00	2	Harness, Clamp Guide (1 per order)
4	650-4271-01*	1	Image Processor Board, no configuration chip, no memory, no NVRAM, no Hard Drive
4a	163-1459-00		IC, Memory NVRAM
4b	163-1500-00		Configuration Chip = "i" button
	163-1501-00		IC, Base Configuration Chip
	163-1502-00		IC, Network Configuration Upgrade Chip
4c			Memory
	156-4838-00		64 MB, 8M x 64, PC133; Memory DIMM
	156-4837-00		128 MB, 16M x 64, PC133; Memory DIMM
	156-4663-00		256 MB, 32M x 64, PC133; Memory DIMM
4d	650-4281-00*		Internal Hard Drive, Phaser 6250 Service Part
5		1	Plate, Rear, Image Processor Board (NS)
6		2	Spring, Ground, Image Processor Board (NS)
7		1	Guide Right - Engine Control Board (NS)
8		1	Guide Left - Engine Control Board (NS)
9	---		---
10a	116-1613-00*	1	Low-Voltage Power Supply 110 V
10b	116-1614-00*	1	Low-Voltage Power Supply 220 V
11	116-1496-00	1	Assembly, Harness, AC Switch
12	116-1615-00*	1	Circuit Board, Motor Driver
13	---		---
14	116-1498-00	1	Housing Assembly Contact

PL 13.1 Harness Assemblies



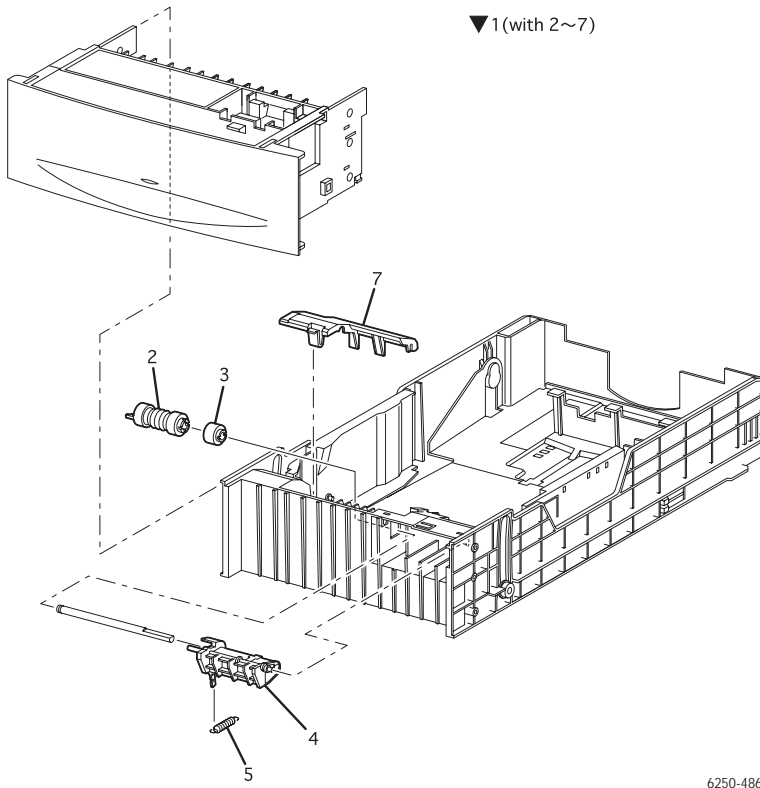
6250-299

PL 13.1 - Harness Assemblies - Service Parts List Table

ID No.	Part Number	Qty	Name/Description
1.	116-1616-00*	1	Assembly, Harness, LVNC (J165-61)
2.	116-1500-00	1	Assembly, Harness, DRV 1 (J11-J41)
3.	116-1617-00*	1	Assembly, Harness, DRV 2 (J12-J42)
4.	116-1502-00	1	Assembly, Harness, LVRPG (J164-311)
5.	116-1504-00	1	Assembly, Harness, ROSKA (J15-J151)
6.	116-1503-00	1	Assembly, Harness, 24 V (J60-J163)
7.	116-1505-00	1	Assembly, Harness, FRONT 1A (J13-P138/P139/P1361/J5011)
8.	116-1506-00	1	Assembly, Harness, OPF MAIN (J121-P210)
9.	116-1507-00	1	Assembly, Harness, OPEPANE OPA (J22-J168/P221)
10.	116-1508-00	1	Assembly, Harness, EEPROM (J140-P71/J144/P141)
11.			
12.	116-1618-00*	1	Assembly, Harness, TMPNCS (J24-J2361/P2362)
13.	116-1620-00*	1	Assembly, Harness, RFID (J34-P3411)
14.			

Optional High-Capacity Feeder

PL 14.1 Paper Trays 3 & 4

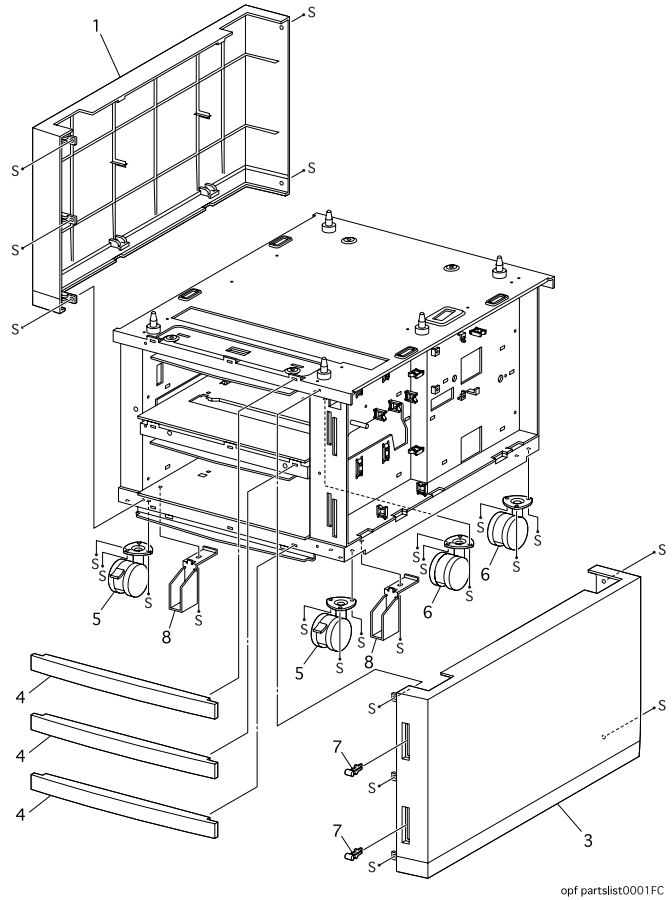


6250-486

PL 14.1 Tray 3 & 4, Universal Paper - Service Parts List Table

ID No.	Part Number	Qty	Name/Description
1.	116-1378-00*	1	Universal Paper Tray (with 2~6)
2.	116-1331-00	2	Paper Feed Roller Kit** **(2 interchangeable rollers per order)
3.	116-1332-00	1	Assembly, Friction Clutch
4.		1	Holder, Retard (NS)
5.	116-1632-00*	1	Spring, Retard
6.			
7.	116-1490-00		Chute Guide Cover

PL 14.2 High-Capacity Feeder Covers



PL 14.2 High-Capacity Feeder Covers- Service Parts List Table

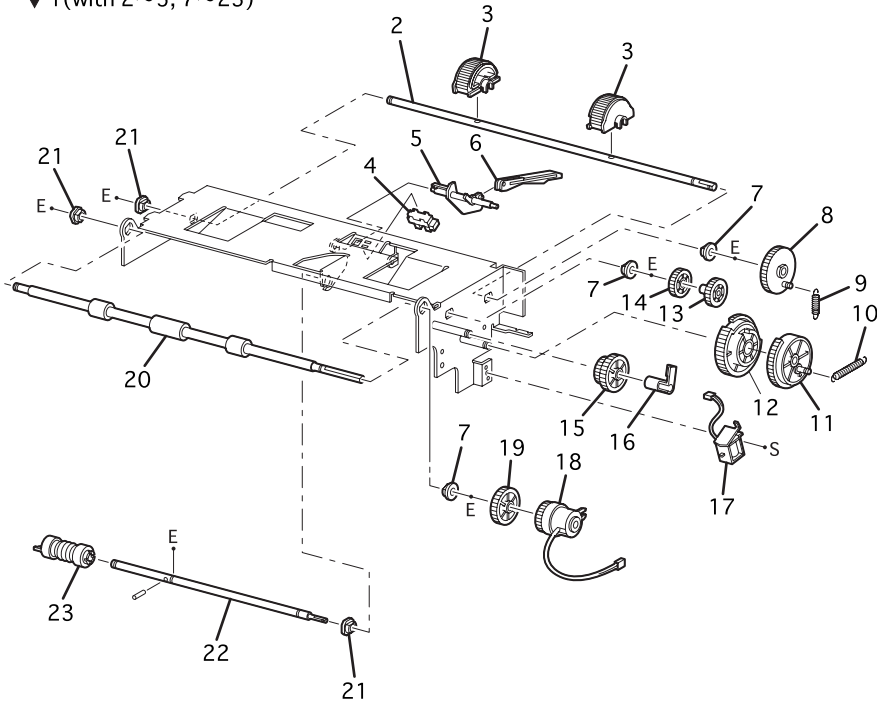
ID No.	Part Number	Qty	Name/Description
1.	116-1510-00	1	Cover, Left
2.			
3.	116-1511-00	1	Cover, Right
4.	116-1512-00	3	Cover, Front (1 per order)
5.	116-0009-00	2	Casters, Locking (1 per order)
6.	116-0008-00	2	Casters, Non-Locking (1 per order)
7.	116-1514-00	2	Indicator, Paper (1per order)
8.		2	Guide Caster (NS)

PL 14.3 High-Capacity Feeder Guides and Chute - Service Parts List Table

ID No.	Part Number	Qty	Name/Description
1.			Guide Assembly, Left (with 3 and 8) (NS)
2.			Guide Assembly, Right (with 5 and 6) (NS)
3.	116-1515-00	2	Guide, Tray Left (1 per Tray)
4.			
5.	116-1516-00	2	Guide, Tray Right (1 per Tray)
6.	116-1343-00	2	Assembly, Paper Size Switch (1 per Tray)
7.	116-1336-00	2	Assembly, Turn Chute (1 per Tray)
8.	116-1351-00	2	Paper Tray Stopper(1 per Tray)
9.		2	Cover, Rear (1 per Tray))

PL 14.4 Paper Pick Assembly Trays 3 & 4

▼ 1 (with 2~5, 7~23)



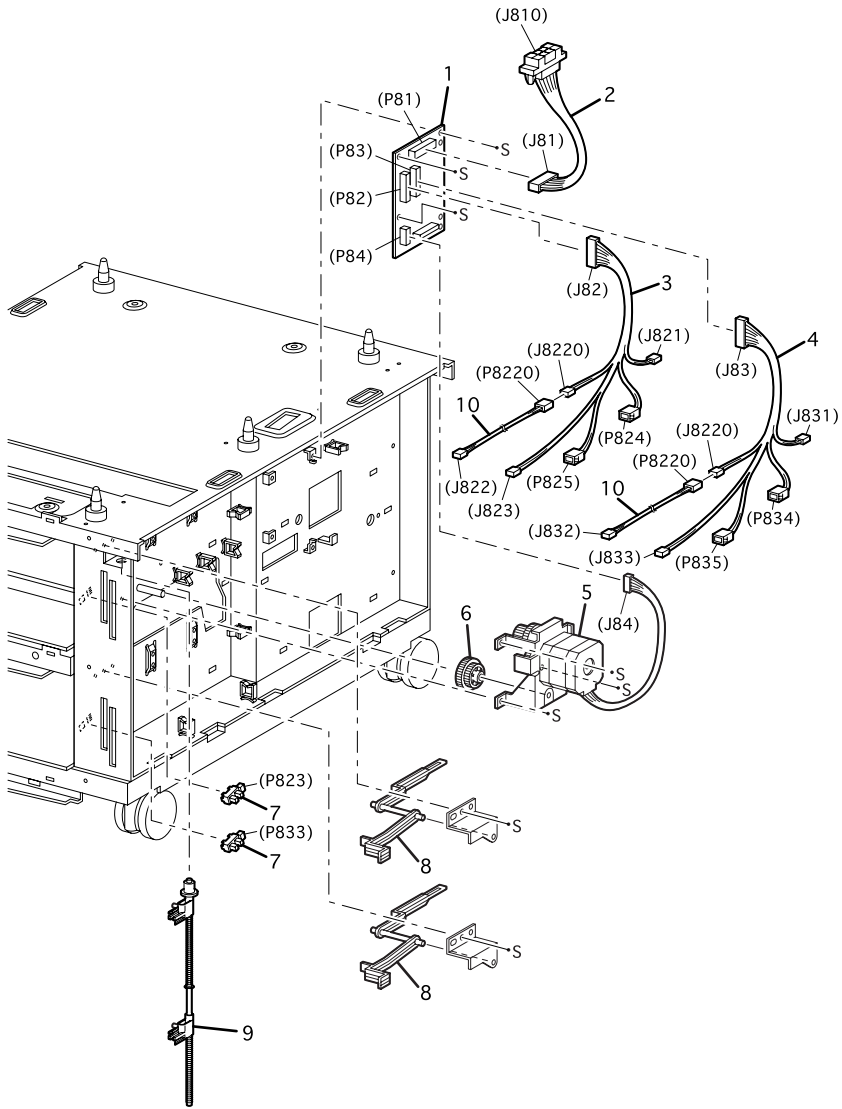
▼ 99 (with 8, 11~15 and 19)

6250-484

PL 14.4 Paper Pick Assembly Trays 3 & 4 - Service Parts List Table

ID No.	Part Number	Qty	Name/Description
1.	116-1517-00	1	Paper Pick Assembly, LTA (with 2-5, 7-23)
2.		1	Shaft, Feed 1 (NS)
3.	116-1353-01	2	Paper Pick Roller Kit (2 per order)
4.	116-1354-00	1	Sensor, No Paper, Low Paper
5.	116-1355-00	1	Actuator, No Paper
6.	116-1356-00	1	Actuator, Link (Not included with item 1)
7.		3	Bearing - Metal (NS)
8.		1	Gear, Feed 1 (NS)
9.		1	Spring, Feed 1 (NS)
10.		1	Spring, Feed H (NS)
11.		1	Gear, Feed H2 (NS part of 99)
12.		1	Gear, Feed H1 (NS part of 99)
13.		1	Gear, Feed 2 (NS part of 99)
14.		1	Gear, Idler Feed (NS part of 99)
15.		1	Gear, Idler (NS part of 99)
16.		1	Clutch Stopper (NS)
17.	116-1361-00	1	Feed Solenoid,
18.	116-1362-00	1	Assembly, Turn Clutch
19.		1	Gear, Idler In (NS part of 99)
20.	116-1363-00	1	Assembly, Roll Turn
21.		2	Bearing, Black (NS)
22.		1	Shaft, Feed 2 (NS)
23.	116-1331-00	2	Paper Feed Roller Kit** **(2 interchangeable rollers per order)
99.	116-1367-00	1	Paper Feed Gear Kit (with 8, 11-15 and 19)

PL 14.5 High-Capacity Feeder Harness, Board and Motor



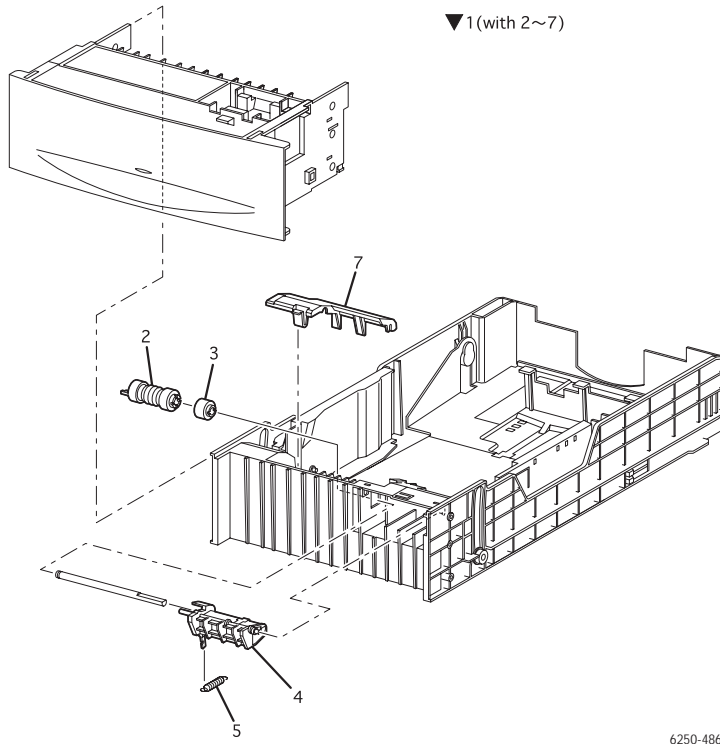
6250-485

PL 14.5 High-Capacity Feeder Harness, Board, Motor - Service Parts List Table

ID No.	Part Number	Qty	Name/Description
1.	116-1622-00*	1	Circuit Board, Lower Feeder
2.	116-1519-00	1	Assembly, OPT Feeder Plug
3.	116-1623-00*	1	Assembly, Harness, Tray 3
4.	116-1521-00	1	Assembly, Harness, Tray 4
5.	116-1624-00*	1	Assembly, Drive, Feeder
6.		1	Gear, Idler (NS, part of PL 3.3.99)
7.	116-1354-00	2	Sensor, No Paper, Low Paper (1 per order)
8.	116-1524-00	2	Lever, Low Paper (1 per order)
9.	116-1525-00		Assembly, Indicator
10.	116-1526-00		Assembly, Harness, NPRSJ

Optional 500-sheet Feeder

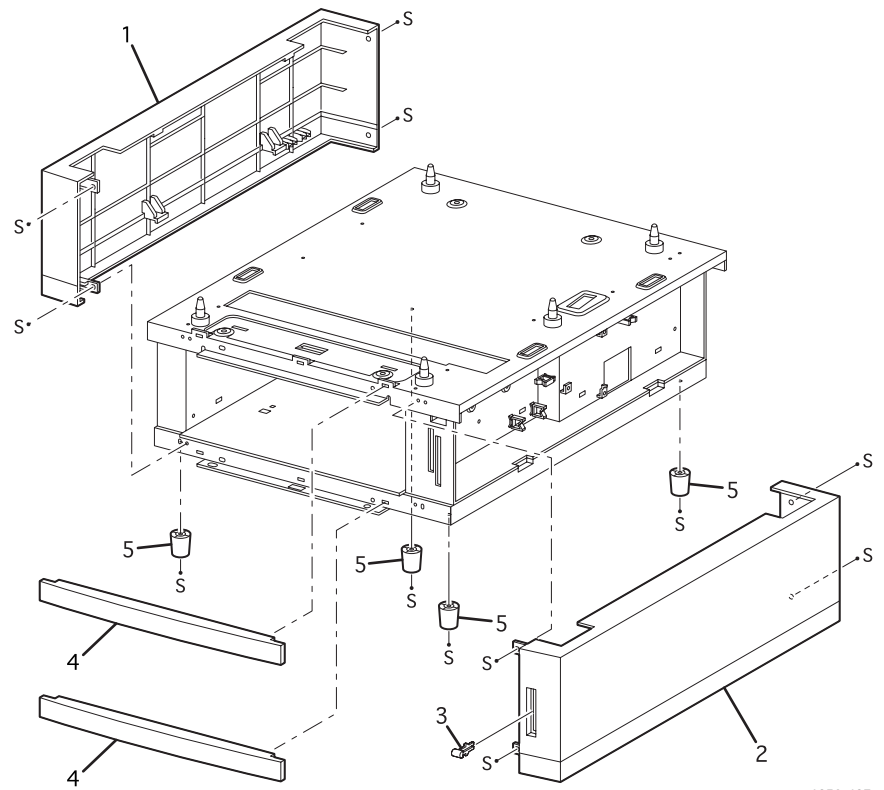
PL 15.1 Paper Tray 3



PL 15.1 Tray 3, Univeral Paper - Service Parts List Table

ID No.	Part Number	Qty	Name/Description
1.	116-1378-00*	1	Universal Paper Tray (with 2~6)
2.	116-1331-00	2	Paper Feed Roller Kit** **(2 interchangeable rollers per order)
3.	116-1332-00	1	Assembly, Friction Clutch
4.		1	Holder, Retard (NS)
5.	116-1632-00*	1	Spring, Retard
6.			
7.	116-1490-00		Chute Guide Cover

PL 15.2 500-sheet Feeder Covers

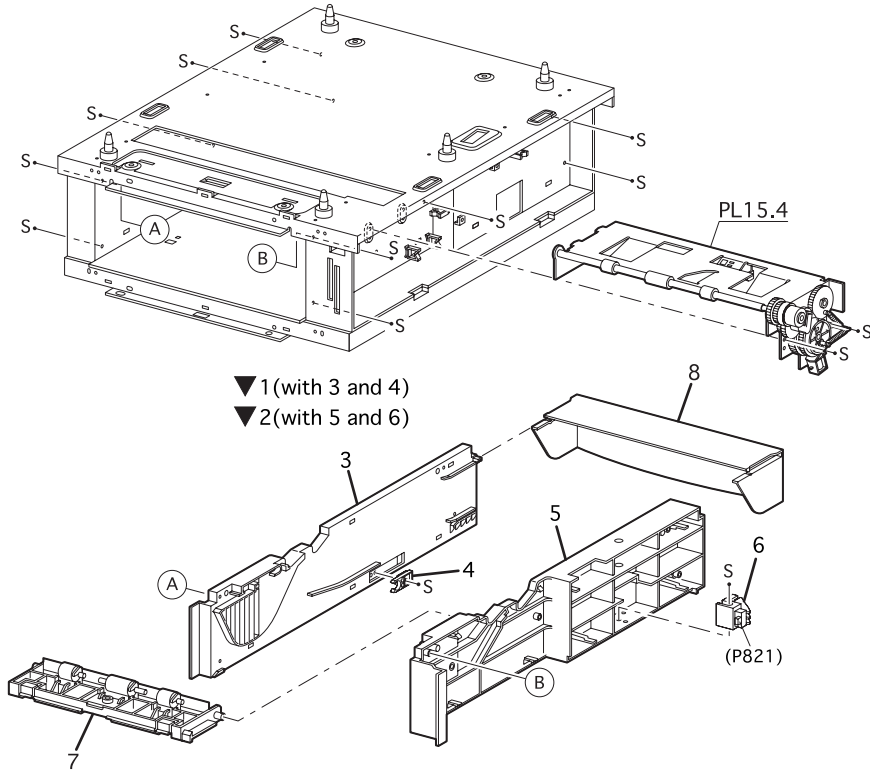


6250-427

PL 15.2 500-sheet Feeder Covers- Service Parts List Table

ID No.	Part Number	Qty	Name/Description
1.		1	Cover, Left (NS)
2.		1	Cover, Right (NS)
3.		1	Indicator, Paper (1per order) (NS)
4.		2	Cover, Front (1 per order) (NS)
5.	116-1626-00*	4	Kit, Feet (4 Feet and 4 screws)

PL 15.3 500-sheet Feeder Guides and Turn Chute Assembly

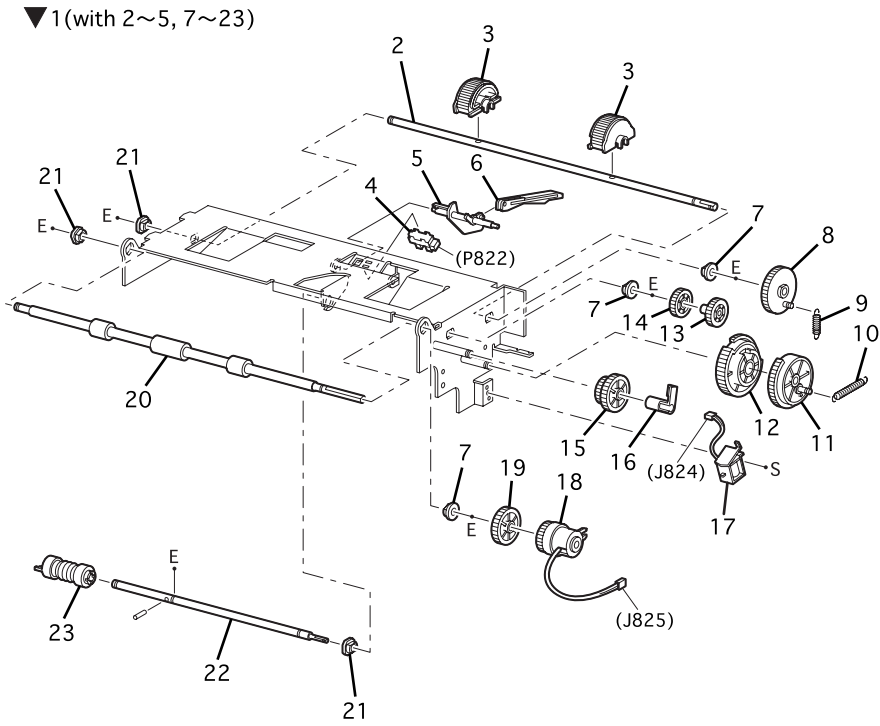


6250-428

PL 15.3 500-sheet Feeder Guides and Chute - Service Parts List Table

ID No.	Part Number	Qty	Name/Description
1.			Guide Assembly, Left (with 3 and 4) (NS)
2.			Guide Assembly, Right (with 5 and 6) (NS)
3.	116-1515-00	1	Guide, Tray Left
4.	116-1351-00	1	Paper Tray Stopper
5.	116-1516-00	1	Guide, Tray Right
6.	116-1343-00	1	Assembly, Paper Size Switch
7.	116-1336-00	1	Assembly, Turn Chute
8.	116-1491-00*	1	Cover, Paper Tray, Rear

PL 15.4 Paper Pick Assembly Tray 3

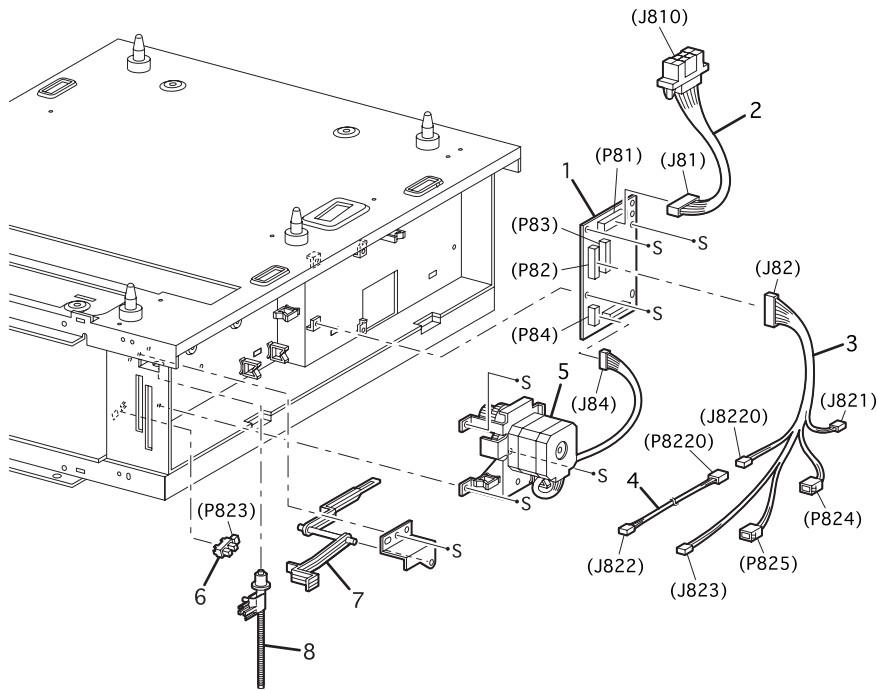


6250-429

PL 15.4 Paper Pick Assembly Tray 3 - Service Parts List Table

ID No.	Part Number	Qty	Name/Description
1.	116-1517-00	1	Paper Pick Assembly, LTA (with 2~5, 7~23)
2.		1	Shaft, Feed 1 (NS)
3.	116-1353-01	2	Paper Pick Roller Kit (2 per order)
4.	116-1354-00	1	Sensor, No Paper, Low Paper
5.	116-1355-00	1	Actuator, No Paper
6.	116-1356-00	1	Actuator, Link (Not included with Item 1)
7.		3	Bearing - Metal (NS)
8.		1	Gear, Feed 1 (NS)
9.		1	Spring, Feed 1 (NS)
10.		1	Spring, Feed H (NS)
11.		1	Gear, Feed H2 (NS part of 99)
12.		1	Gear, Feed H1 (NS part of 99)
13.		1	Gear, Feed 2 (NS part of 99)
14.		1	Gear, Idler Feed (NS part of 99)
15.		1	Gear, Idler (NS part of 99)
16.		1	Clutch Stopper (NS)
17.	116-1361-00	1	Feed Solenoid,
18.	116-1362-00	1	Assembly, Turn Clutch
19.		1	Gear, Idler In (NS part of 99)
20.	116-1363-00	1	Assembly, Roll Turn
21.		2	Bearing, Black (NS)
22.		1	Shaft, Feed 2 (NS)
23.	116-1331-00	2	Paper Feed Roller Kit** **(2 interchangeable rollers per order)
99.	116-1367-00	1	Paper Feed Gear Kit (with 8, 11~15 and 19)

PL 15.5 500-sheet Feeder Harness, Board and Motor



6250-430

PL 15.5 500-sheet Feeder Harness, Board, Motor - Service Parts List Table

ID No.	Part Number	Qty	Name/Description
1.	116-1622-00*	1	Circuit Board, Lower Feeder
2.	116-1519-00	1	Assembly, OPT Feeder Plug
3.	116-1623-00*	1	Assembly, Harness, Tray 3
4.	116-1526-00	1	Assembly, Harness, NPRSJ
5.	116-1635-00*	1	Assembly, Drive, Feeder (Single Tray)
6.	116-1354-00	1	Sensor, No Paper, Low Paper
7.	116-1524-00	1	Lever, Low Paper
8.		1	Assembly, Indicator (NS)

Xerox Supplies and Accessories

Repair Kits, World Kits and Repacking Kits

Description	Part Number
Kit, Gear, Paper Feed	116-1367-00
Kit, Bush, Exit Chute	116-1596-00*
Kit, OHP Sensor with Harness	116-1459-00
Kit, Registration Sensor Actuator and Spring	116-1627-00*
Kit, Printer Feet	116-1625-00*
Kit Screw, Assorted	116-1527-00
Kit, Long Screw (M3 x 85) (2 each)	212-0237-00
Kit, E-Rings, Assorted	116-1528-00
Kit, Sensor Actuator, Assorted Actuators	116-1131-00*
Kit, Paper Feed Rollers (2 interchangeable Rollers per)	116-1331-00
Paper Pick Rollers (2 interchangeable Rollers per)	116-1353-01
Main Shipping Box, Phaser 6250	004-5317-00*
Phaser 6250, World Kit	061-4482-00*
Repackaging Kit, Phaser 6250	065-0625-00
Repackaging Kit, High-Capacity Feeder, Phaser 6250	065-0611-00*
Repackaging Kit, 500 Sheet Feeder, Phaser 6250	065-0627-00*

Power Cords

Description	Part Number
Cable Assy, 3,18AWG, 115 V, 98, 0L	161-0066-00
Cable PWR EURO 220V , 99L	161-0066-09
Cable PWR U.K. 240 V, 96L	161-0066-10

Power Cords

Description	Part Number
Cable PWR AUST 240 V, 96L	161-0066-11
Cable Assy SWISS 220/240 V, 50 Hz	161-0154-00
Cable Assy PWR. DANISH, 250 V	161-0240-00
Cable Assy PWR, PRC	161-0304-00
Power, 240 V, ARGENTINA	161-0307-00

Upgrade Kits and Options

Description	Part Number
Internal Hard Drive, Service Part	650-4281-00*
Memory	
64 MB, 8M x 64, PC133; Memory DIMM	156-4838-00
128 MB, 16M x 64, PC133; Memory DIMM	156-4837-00
256 MB, 32M x 64, PC133; Memory DIMM	156-4663-00
High-Capacity Feeder w/ Trays	119-6474-00*
Casters Non-Locking	116-0008-00
Casters Locking	116-0009-00
500-sheet Feeder w/ Tray	119-6418-00*
Printer Feet	116-1344-00
IC, Base Configuration Chip	163-1500-00*
IC, Network Configuration Chip	163-1501-00*
IC, DP/DX Configuration Chip	163-1502-00*
IC, Memory NVRAM	163-1459-00*

Consumables

Description	Part Number
Toner Cartridges - Phaser 6250 all	
Yellow Toner Cartridge, Standard-Capacity	106R00670*
Yellow Toner Cartridge, High-Capacity	106R00674*
Magenta Toner Cartridge, Standard Capacity	106R00669*
Magenta Toner Cartridge, High-Capacity	106R00673*

Consumables

Description	Part Number
Cyan Toner Cartridge, Standard-Capacity	106R00668*
Cyan Toner Cartridge, High-Capacity	106R00672*
Black Toner Cartridge, Standard-Capacity	106R00671*
Black Toner Cartridge, High-Capacity	106R00675*

Routine Maintenance Items

Description	Part Number
Imaging Unit, Phaser 6250	108R00591*
Fuser, Phaser 6250	
110 V	115R00029*
220 V	115R00030*
Transfer Roller	108R00592
Universal Paper Tray (2, 3, 4)	116-1378-00*
Paper Feed Roller Kit	116-1331-00

Software and Documentation

Description	Part Number
Printer Installer and Utilities CD-ROM	Included in World Kit
User Documentation CD-ROM	Included in World Kit
Service Manual	071-0869-00*

Phaser Media

Description	Part Number
Phaser Premium Paper, A, 500 Sheets	016-1368-00
Phaser Premium Paper, A4, 500 Sheets	016-1369-00

Phaser Media (Continued)

Description	Part Number
Phaser Glossy Coated Paper, A, 100 Sheets	016-1704-00
Phaser Glossy Coated Paper, A4 100 Sheets	016-1705-00
Phaser Color Printing Labels, A, 30 per, 100 Sheets	016-1812-00
Phaser Color Printing Labels, A, 6 per, 100 Sheets	016-1813-00
Phaser Color Printing Labels, A4, 14 per, 100 Sheets	016-1814-00
Phaser Color Printing Labels, A4, 8 per, 100 Sheets	016-1815-00
Phaser Premium Cover Paper, A, 100 Sheets	016-1823-00
Phaser Premium Cover Paper, A4, 100 Sheets	016-1824-00
Phaser CD/DVD Label and Applicator; contains 1 Applicator & 1 Jewel Case	016-1885-00
Phaser CD/DVD Labels and Inserts, 1 Insert/Sheet, Letter (8.5 x 11 in.), 20 Sheets, 2 Labels per Sheet, 10 Sheets	016-2011-00
Phaser CD/DVD Labels and Inserts, A4, (210 x 297mm) 1 Insert/Sheet, 20 Sheets, 2 Labels per Sheet, 10 Sheets	016-2026-00
Phaser Premium Business Card Media, A, 10 per 25 Sheets	016-1898-00
Phaser Premium Business Card Media, A4, 10 per 25 Sheets	016-1899-00
Phaser 25-Series Premium Transparency Film, Letter (8.5 x 11 in.), 50 Sheets	016-1948-00
Phaser 25-Series Premium Transparency Film, A4 (210 x 297mm), 50 Sheets	016-1949-00
Phaser Premium Greeting Cards w/ Envelopes, A, 50 sheets	016-1987-00
Phaser Premium Greeting Cards w/ Envelopes, A4, 50 sheets	016-1988-00
Phaser Digital Photo Paper, A, 50 Sheets	016-2009-00

Phaser Media (Continued)

Description	Part Number
Phaser Digital Photo Paper, A4, 50 Sheets	016-2010-00
Phaser Premium Postcards, Letter (8.5 x 11 in.), 100 Sheets	103R01016
Phaser Premium Postcards, A4 (210 x 297mm), 100 Sheets	103R01017
Phaser Glossy Trifold Brochure, Letter (8.5 x 11 in.), 100 Sheets	103R01018
Phaser Glossy Trifold Brochure, A4 (210 x 297mm), 100 Sheets	103R01019
Phaser Weatherproof Paper, Letter (8.5 x 11 in.), 150 Sheets	103R01020
Phaser Weatherproof Paper, A4 (210 x 297mm), 150 Sheets	103R01021

